

# Smart String Inverter



## Smart

8 strings intelligent monitoring



## Efficient

Max. efficiency 98.6%



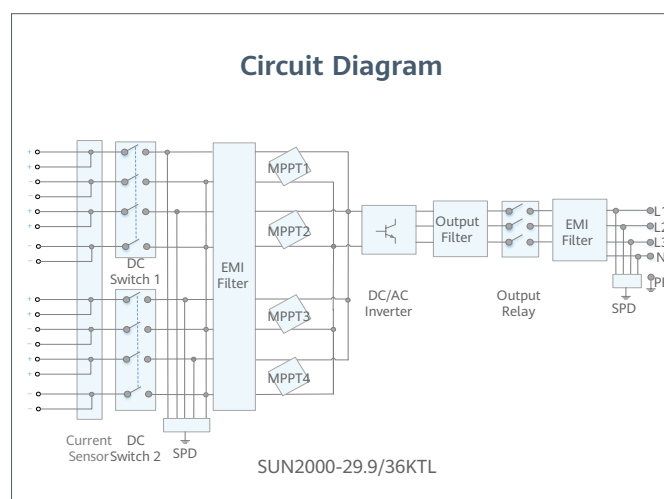
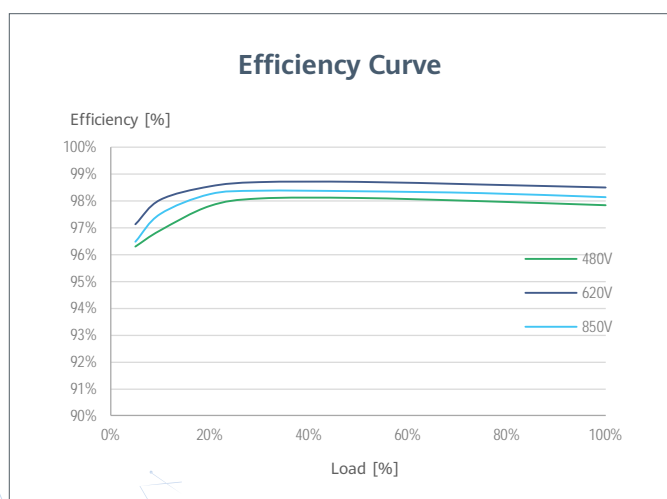
## Safe

Fuse free design



## Reliable

Type II surge arresters for both DC & AC



SUN2000-29.9/36KTL  
**Technical Specification**

Technical Specification	SUN2000-29.9KTL	SUN2000-36KTL
<b>Efficiency</b>		
Max. Efficiency	98.6%	
European Efficiency	98.4%	
<b>Input</b>		
Max. Input Voltage	1,100 V	
Max. Current per MPPT	22 A	
Max. Short Circuit Current per MPPT	30 A	
Start Voltage	250 V	
MPPT Operating Voltage Range	200 V ~ 1,000 V	
Rated Input Voltage	620 V	
Number of Inputs	8	
Number of MPP Trackers	4	
<b>Output</b>		
Rated AC Active Power	29,900 W	36,000 W
Max. AC Apparent Power	29,900 VA	40,000 VA
Max. AC Active Power (cosφ=1)	29,900 W	Default 40,000 W; 36,000 W optional in settings
Rated Output Voltage	220 V / 380 V, 230 V / 400 V, default 3W + N + PE; 3W + PE optional in settings	
Rated AC Grid Frequency	50 Hz / 60 Hz	
Rated Output Current	43.2 A	54.6 A @380 V / 52.2 A @ 400 V
Max. Output Current	43.2 A	60.8 A @380 V / 57.8 A @ 400 V
Adjustable Power Factor Range	0.8 leading... 0.8 lagging	
Max. Total Harmonic Distortion	≤ 3 %	
<b>Protection</b>		
Input-side Disconnection Device	Yes	
Anti-islanding Protection	Yes	
AC Overcurrent Protection	Yes	
DC Reverse-polarity Protection	Yes	
PV-array String Fault Monitoring	Yes	
DC Surge Arrester	Type II	
AC Surge Arrester	Type II	
DC Insulation Resistance Detection	Yes	
Residual Current Monitoring Unit	Yes	
<b>Communication</b>		
Display	LED Indicators, Bluetooth + APP	
RS485	Yes	
USB	Yes	
Monitoring BUS (MBUS)	Yes	
<b>General Data</b>		
Dimensions (W x H x D)	930 x 550 x 283 mm (36.6 x 21.7 x 11.1 inch)	
Weight (with mounting plate)	62 kg (136.7 lb.)	
Operating Temperature Range	-25°C ~ 60°C (-13°F ~ 140°F)	
Cooling Method	Natural Convection	
Max. Operating Altitude	4,000 m (13,123 ft.)	
Relative Humidity	0 ~ 100%	
DC Connector	Amphenol Helios H4	
AC Connector	Cable Gland + OT Terminal	
Protection Degree	IP65	
Topology	Transformerless	
Nighttime Power Consumption	< 2.5 W	
<b>Standard Compliance (more available upon request)</b>		
Certificate	EN 62109-1/-2, IEC 62109-1/-2, EN 50530, IEC 62116, IEC 60068, IEC 61683	
Grid Code	IEC 61727, AS/NZS 4777.2	